

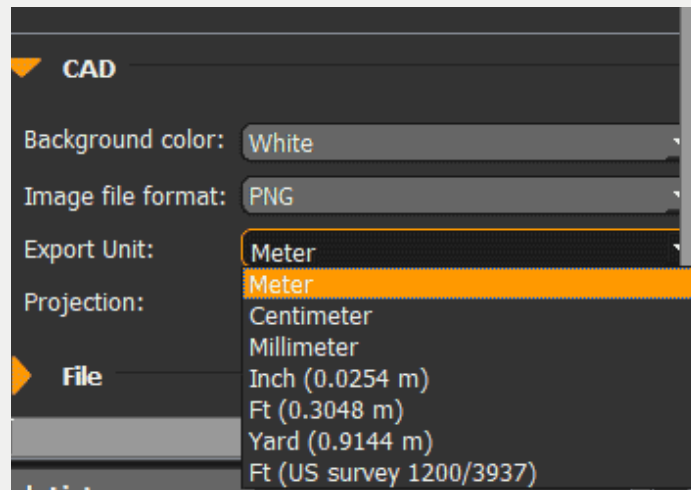
EXPORT LAYOUTS & SECTIONS FOR CAD

The PointCab CAD export allows you to import your results into your preferred CAD software and thus facilitates your work. However, before you create a section, certain settings must first be adjusted. Needless to say, PointCab orthophotos are compatible with all popular CAD softwares on the market. So let's take a look at the possibilities when preparing your CAD files in PointCab.

In the Job Editor, under the **CAD** tab, you can adjust the settings that you want to apply for your CAD software. For example, you can change the **background colour** or change the **export unit** of measurement from metres to millimetres.

The following image formats are available in PointCab: PNG - JPG - BMP - TIFF-WEBP.

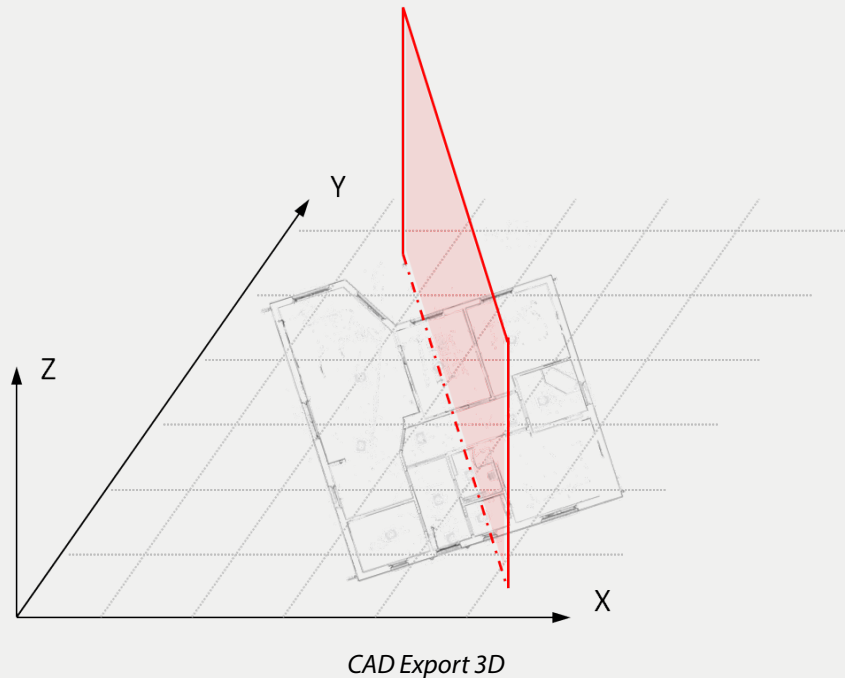
You can use **Projection** to define which coordinates are saved in the output file. Use the Planar setting if you are working with 2D programmes or 2D CAD software. With this setting the orthophoto is created directly on the XY plane.



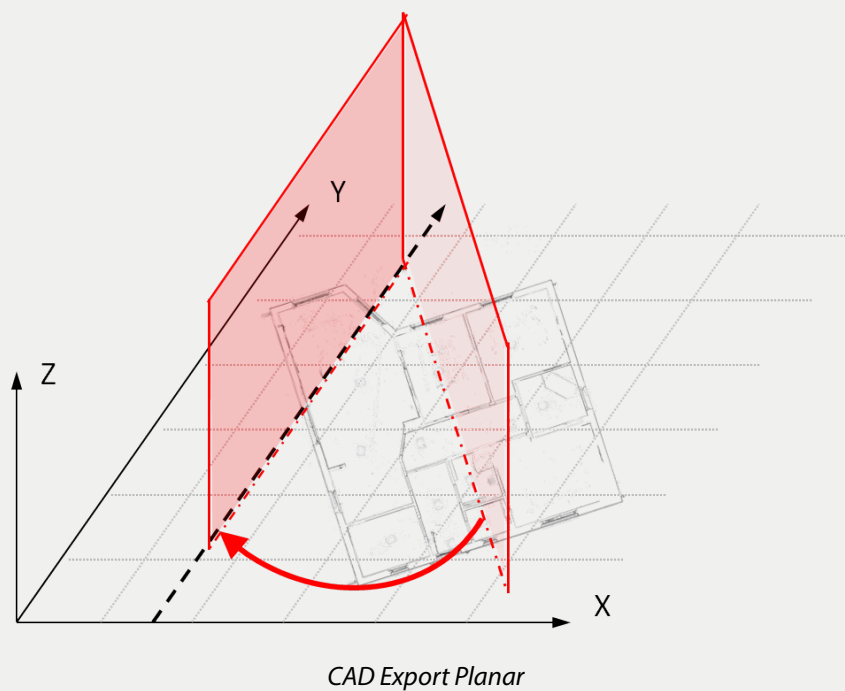
CAD Projection: 3D, Planar, Planar and Origin

What do these settings have in common and what exactly constitutes a planar setting?

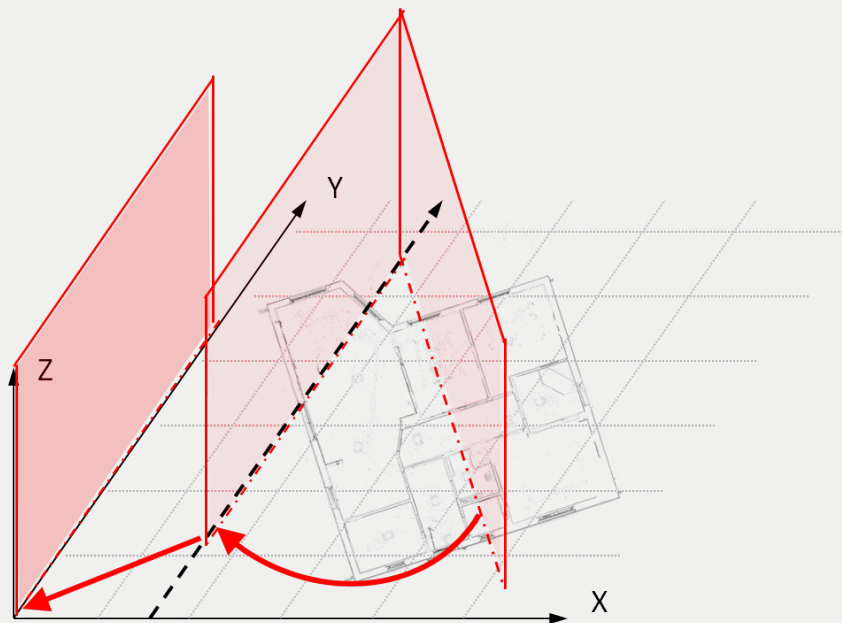
In the first picture you see a floor plan that is not parallel to the axis of the XYZ axes. We want to define a section in this floor plan. With the 3D projection, this section is displayed at the correct position and thus imported into the 3D space of a CAD system.



However, there are CAD applications that do not work directly in a 3D space, but extrude the heights with the correctly positioned XY structure to obtain a 3D model. Examples include **Graphisoft ArchiCAD** and **Autodesk Revit**. For these applications it is important that the results are axis-parallel to the respective coordinate axes. This is achieved by the setting „Planar projection“.

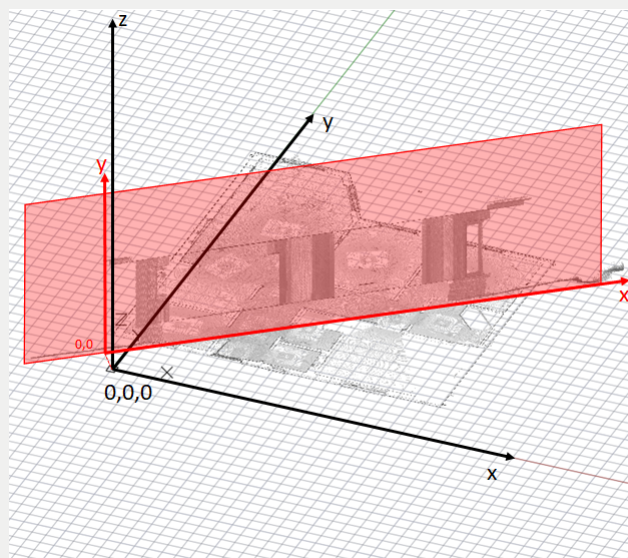


With the Planar and Origin projection, the XY structure can be moved to the zero point defined in the CAD.



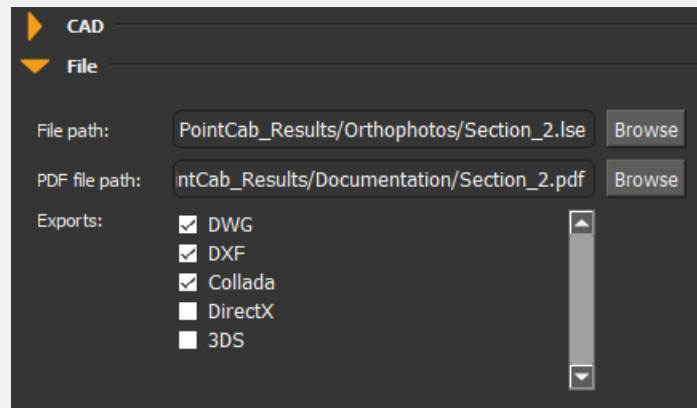
CAD Export Planar and Origin

By using "Projective planar" a local 2D xy coordinate system will be defined. The point clouds and the origin of the 3D coordinate system will be projected to this local 2D xy plane.



CAD Export Projective planar

Export settings



Under the tab **File** you can determine the file path and name of your floor plan.

The options indicate in which format you can save your results. PointCab can create DWG, DXF, DAE, 3DS and DirectX files.